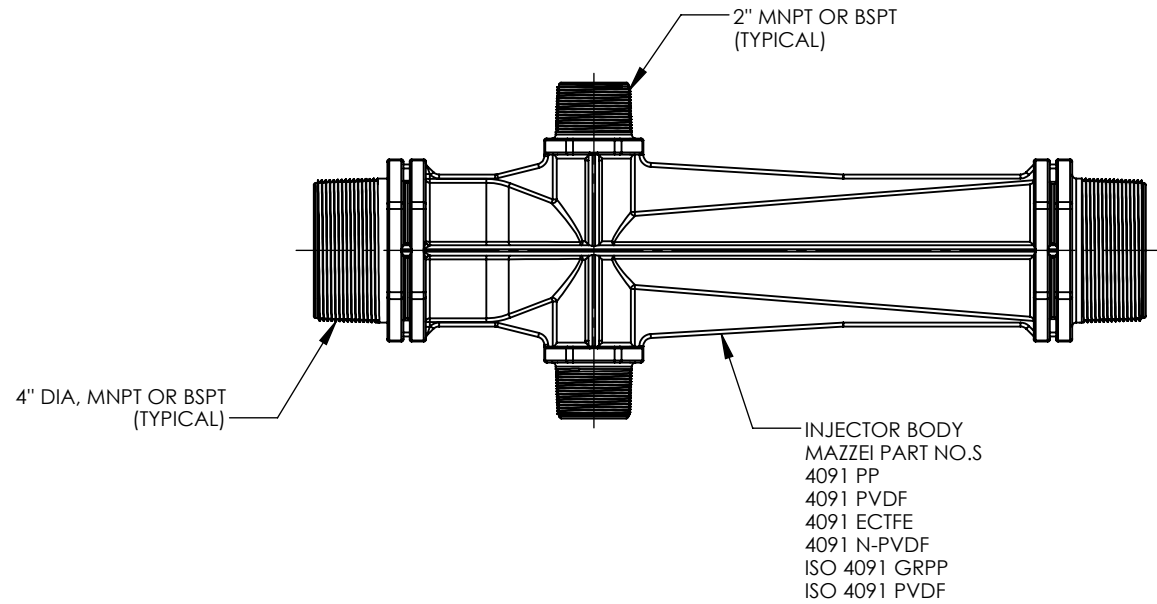
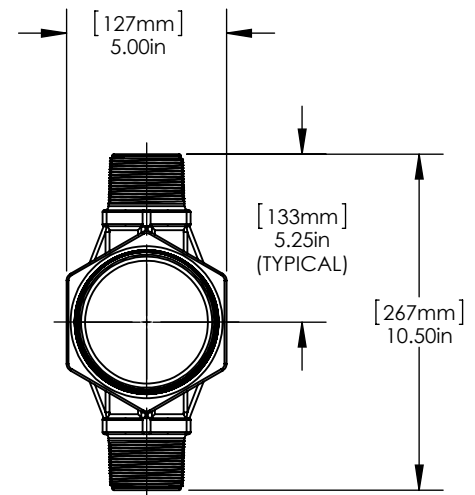
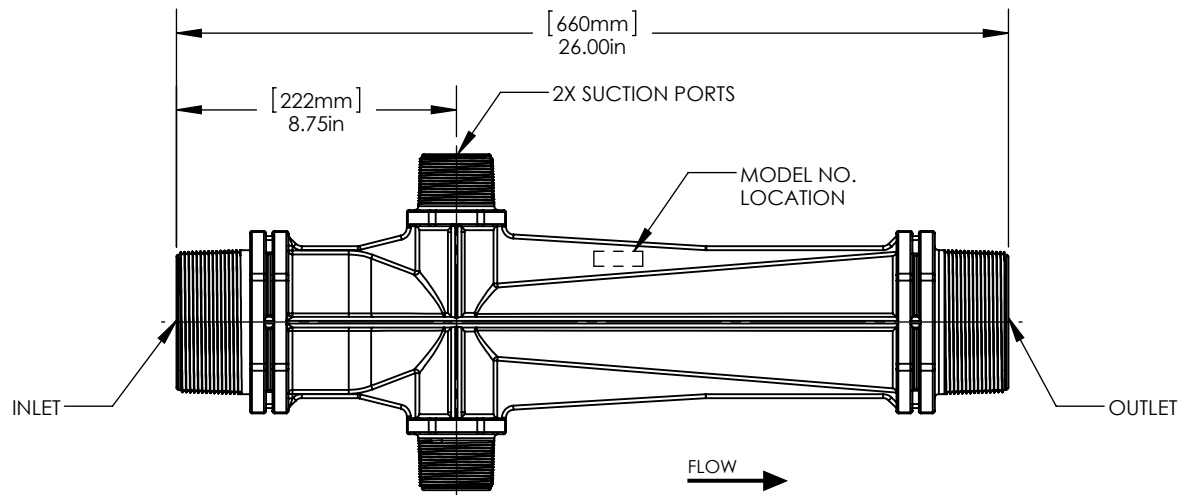
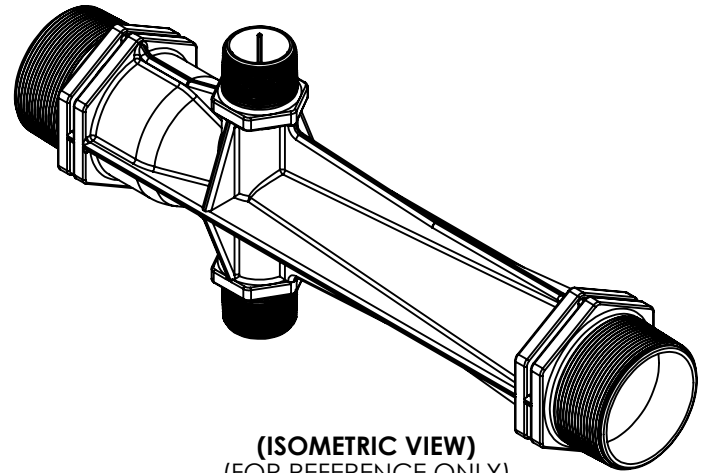


NOTES:

1. MADE IN THE U.S.A.
2. U.S. PATENT No. 5,863,128
3. U.S. No. 3,852,076 AND INTERNATIONAL REGISTERED TRADEMARKS
4. MATERIAL: GLASS FILLED POLYPROPYLENE (PP) OR POLYVINYLIDENE FLUORIDE (PVDF) OR NATURAL POLYVINYLIDENE FLUORIDE (N-PVDF) OR ETHYLENE CHLOROTRIFLUOROETHYLENE (ECTFE).
5. INLET/OUTLET CONNECTIONS:
4" DIA, MNPT OR BSPT
6. SUCTION PORT CONNECTIONS:
2" MNPT OR BSPT
7. FOR INSTALLATION RECOMMENDATIONS REFER TO MAZZEI TECHNICAL BULLETINS No. 4, No. 5, No. 6, No. 10 AND No. 11, WHICH CAN BE FOUND AT WWW.MAZZEI.NET.
8. MAZZEI INJECTOR CO., LLC.
500 ROOSTER DR.
BAKERSFIELD, CA 93307
TEL: 661.363.6500
WEB: WWW.MAZZEI.NET



UNLESS OTHERWISE SPECIFIED DIMENSIONS ARE IN INCHES			TITLE: 4" INJECTOR; MODEL 4091		
DRAWN: J. PEREZ	DATE: 9/25/2014		DRAWING NO.: 4091		
APPROVED: T. JOHNS	SIZE: A	WEIGHT: N/A	SCALE: 1:6	REV.: B	SHEET: 1 OF 2

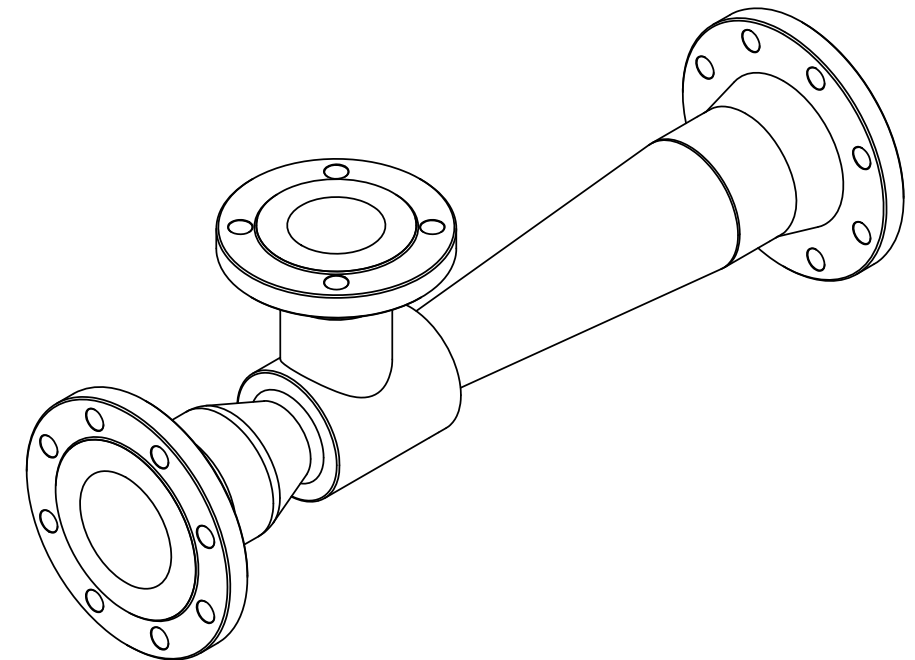


UNLESS OTHERWISE SPECIFIED DIMENSIONS ARE IN INCHES			TITLE: 4" INJECTOR; MODEL 4091		
DRAWN: J. PEREZ	DATE: 9/25/2014		DRAWING NO.: 4091		
APPROVED: T. JOHNS	SIZE: A	WEIGHT: N/A	SCALE: 1:6	REV.: B	SHEET: 2 OF 2

NOTES:


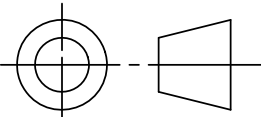
1. MATERIAL OF CONSTRUCTION: TYPE 316L, STAINLESS STEEL
2. MTR/HEAT NUMBERS ARE PROVIDED AND SHALL MEET APPLICABLE MATERIAL SPECIFICATIONS.
3. FLANGE BOLT HOLES TO STRADDLE COMMON CENTERLINES, UNLESS OTHERWISE NOTED.
4. INLET/OUTLET CONNECTION:
4" DIA., ANSI B16.5, CLASS 150, SCHED. 40, RAISED FACE - WELD NECK FLANGE.
5. SUCTION PORT CONNECTION:
3" DIA., ANSI B16.5, CLASS 150, SCHED. 40, RAISED FACE - WELD NECK FLANGE.
6. WELDING JOINTS TO BE COMPLETE JOINT PENETRATION, WHERE POSSIBLE.
7. DYE PENETRANT TESTING IN ACCORDANCE WITH ASME B31.3 NORMAL SERVICE RECOMMENDATIONS WILL BE PERFORMED ON A MINIMUM OF 20% OF LINEAR LENGTH OF WELDS; OR HYDROSTATIC TESTING WILL BE PERFORMED AS PART OF MAZZEI'S NON-DESTRUCTIVE TESTING PROCEDURE.
8. CLEANED FOR PASSIVATION PER ASTM A380 GUIDELINES.
9. PASSIVATED PER ASTM A967 SPECIFICATION.
10. WELD MAP, NON DESTRUCTIVE TESTING (NDT), CLEANING AND INSPECTION REPORTS TO BE PROVIDED BY MAZZEI.
11. MAZZEI RECOMMENDS INSTALLING THE INJECTOR IN A HORIZONTAL POSITION. INJECTORS MAY BE INSTALLED IN A VERTICAL POSITION WITH THE LIQUID FLOW UPWARDS. HOWEVER, IN CERTAIN APPLICATIONS THIS MAY AFFECT PERFORMANCE. PLEASE REFER TO MAZZEI TECHNICAL BULLETIN No. 11; "MAZZEI INJECTOR INSTALLATION RECOMMENDATIONS FOR GAS TO LIQUID MIXING APPLICATIONS".

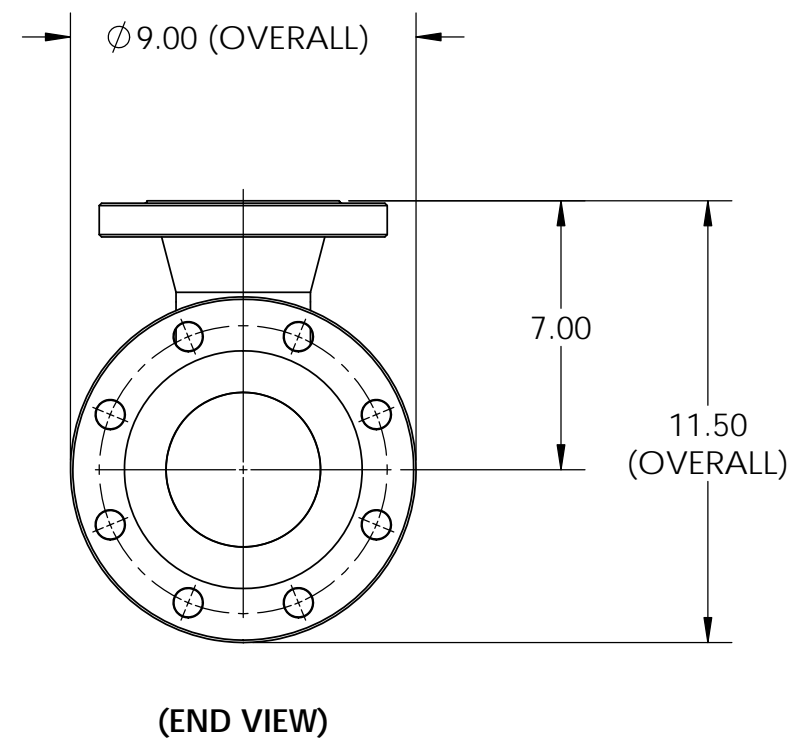
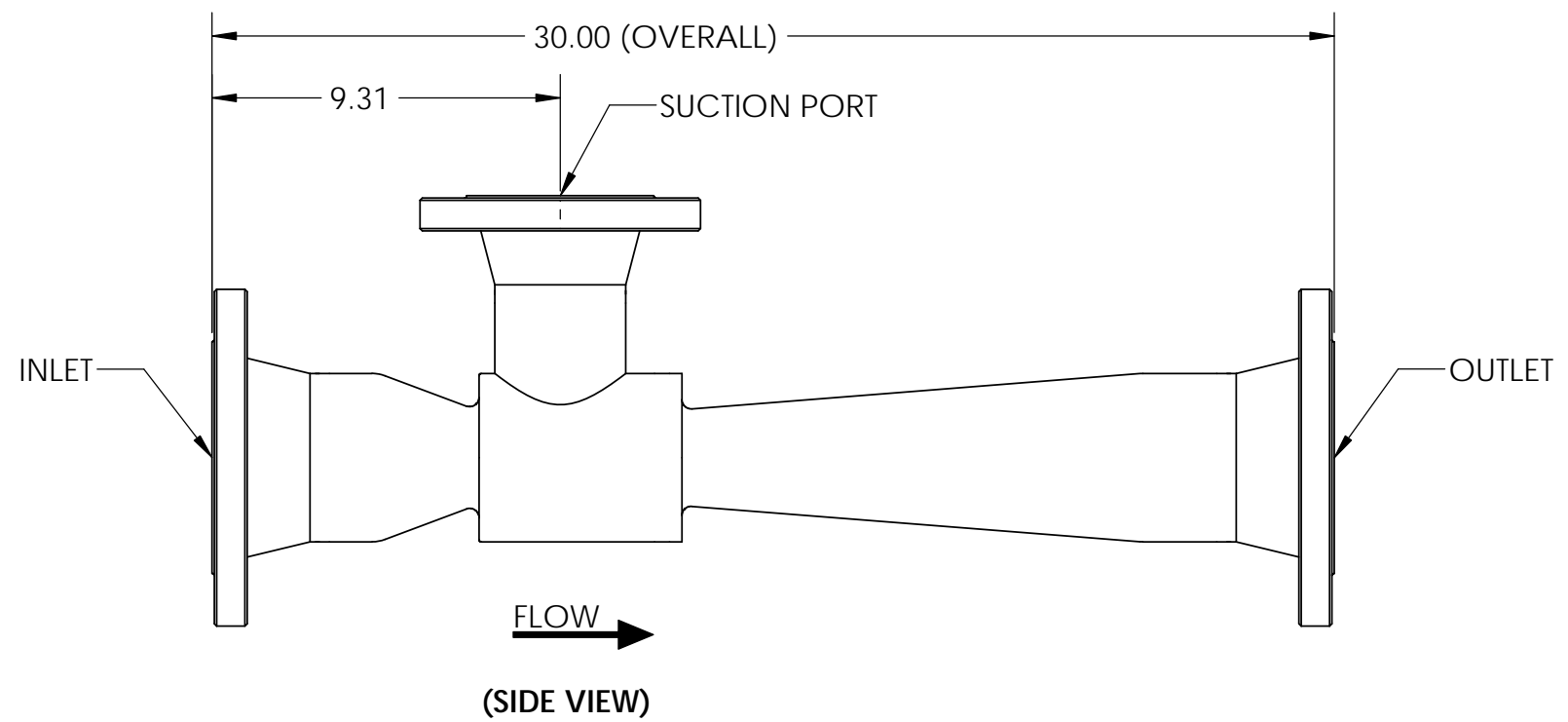
REVISIONS			
REV.	DESCRIPTION	DATE	APPROVED
B	UPDATED NOTE 11.	5/6/2013	P. BANKOWSKI




(ISOMETRIC VIEW)
(FOR REFERENCE ONLY)

SUBMITTAL DRAWING

SUBMITTAL NOTICE	CONFIDENTIALITY NOTICE	UNLESS OTHERWISE SPECIFIED DIM ARE IN INCHES TOL ON ANGLE $\pm .1/2^\circ$ 1 PL $\pm .125$ 2 PL $\pm .060$ 3 PL $\pm .030$ INTERPRET DIM AND TOL PER ASME Y14.5M-1994	APPROVALS	DATE		MAZZEI INJECTOR CO., LLC 500 ROOSTER DRIVE BAKERSFIELD, CA 93307 PHONE: (661) 363-6500 FAX: (661)363-7500 WWW.MAZZEI.NET
ANY RECOMMENDATIONS FOR PRODUCT AND/OR SYSTEM DESIGN, WHETHER CONTAINED IN A DOCUMENT, WITHIN THIS DRAWING, COMMUNICATED BY ELECTRONIC MEANS OR GIVEN VERBALLY, ARE INTENDED SOLELY AS GUIDELINES TO ACTUAL SYSTEM DESIGN. SAID RECOMMENDATIONS ARE BASED UPON INFORMATION SUPPLIED BY OTHERS, THE ACCURACY OF WHICH IS BEYOND VERIFICATION BY MAZZEI INJECTOR CO. LLC. THEREFOR MAZZEI CANNOT AND DOES NOT WARRANT THE SUITABILITY OF ITS PRODUCTS FOR A PARTICULAR SERVICE NOR THE PERFORMANCE OF ANY SYSTEM CONTAINING COMPONENTS MADE OR SOLD BY MAZZEI.	THE INFORMATION CONTAINED IN THIS DRAWING IS THE SOLE PROPERTY OF MAZZEI INJECTOR COMPANY LLC. ANY REPRODUCTION IN PART OR AS A WHOLE WITHOUT THE WRITTEN PERMISSION OF MAZZEI IS STRICTLY PROHIBITED.	THIRD ANGLE PROJECTION 	DRAWN: T. JOHNS	12/28/2012	INJECTOR; MODEL SSF04091AAA00	
			CHECKED: P. BANKOWSKI	12/28/2012		
			APPROVED: P. BANKOWSKI	12/28/2012	SIZE: B	JOB NO.: NA
	DRAWING MAY NOT BE PRINTED FULL SIZE DO NOT SCALE		QA: -		DRAWING NUMBER: SSF04091AAA00-SUB	REV: B
			CUSTOMER APPROVAL: -		SCALE: NONE	WEIGHT: 72 LBS
			CUSTOMER: NA		SHEET: 1 OF 2	



		MAZZEI INJECTOR CO., LLC 500 ROOSTER DRIVE BAKERSFIELD, CA 93307 PHONE: (661) 363-6500 FAX: (661)363-7500 WWW.MAZZEI.NET		
		TITLE: INJECTOR; MODEL SSF04091AAA00		
SIZE:	JOB NO.:	DRAWING NUMBER:	REV:	
B	NA	SSF04091AAA00-SUB	B	
SCALE:	WEIGHT:	SHEET:		
1:5	72 LBS	2 OF 2		



Injector Performance Table
Water Suction Capacity

Operating Pressure PSIG		WATER SUCTION		Operating Pressure PSIG		WATER SUCTION		
Injector INLET	Injector OUTLET	Motive Flow GPM	Water Suction GPM	Injector INLET	Injector OUTLET	Motive Flow GPM	Water Suction GPM	
5	0	170	35	60	0	460	47	
	1		25		5		47	
	2		20		10		47	
	3		14		15		47	
	4		6		20		47	
10	0	214	47		30		47	
	2		47		35		46	
	5		31		40		42	
	7		13		45		*(51.0)	28
	8		4		70		0	46
15	0	251	47	5		46		
	5		47	10		46		
	7		38	15		46		
	10		12	20		46		
20	12	6	30	46				
	0	272	47	40		46		
	5		47	45		46		
	10		45	50		31		
	12		30	55		*(60.5)	16	
15	12		80	0	45			
25	0	307		47	5	45		
	5			47	10	45		
	10			47	15	45		
	15			33	20	45		
	20			7	30	45		
30	0	332		47	40	45		
	5			47	50	45		
	10			47	60	30		
	15			43	65	*(69.5)	14	
	20		23	90	0	42		
25	4	5	42					
35	0	360	47		10	42		
	5		47		20	42		
	10		47		30	42		
	15		47		40	42		
	20		44		50	40		
40	25	24	60		39			
	0	382	47		70	28		
	5		47		75	*(79.1)	14	
	10		47	100	0	42		
	15		47		5	42		
20	47		10		42			
25	47	20	42					
30	31	30	42					
45	30	15	40		42			
	0	402	47		50	42		
	5		47		60	42		
	10		47		70	39		
	15		47		80	*(88.6)	15	
20	47		50	0	47			
25	47	5		47				
30	47	10		47				
35	47	15		47				
40	47	20		47				
50	25	47		25	47			
	30	44		30	44			
	35	27		35	27			
	40	6		40	*(43.1)	6		

Model 4091

Copyright© 2015 REV 2014

Mazzei Injector Company, LLC
 500 Rooster Drive, Bakersfield, CA 93307-9555 USA

TEL 661.363.6500 • FAX 661.363.7500 • www.mazzei.net

**NUMBERS IN PARENTHESIS indicate the injector outlet pressure when suction stops (Zero Suction Point).*



Injector Performance Table
Water Suction Capacity - METRIC

Operating Pressure kg/cm ²		WATER SUCTION		Operating Pressure kg/cm ²		WATER SUCTION	
Injector Inlet	Injector Outlet	Motive Flow l/min	Water Suction l/min	Injector Inlet	Injector Outlet	Motive Flow l/min	Water Suction l/min
0.35	0.00	643	132	4.22	0.00	1,741	177
	0.07		94.6		0.35		177
	0.14		75.7		0.70		177
	0.21		53.0		1.05		177
	0.28		22.7		1.41		177
0.70	0.00	810	177		2.11		177
	0.14		177		2.46		174
	0.35		117		2.81		159
	0.49		49.2		3.16		106
	0.56		15.1				
1.05	0.00	950	177	4.92	0.00	1,874	174
	0.35		177		0.35		174
	0.49		143		0.70		174
	0.70		45.4		1.05		174
	0.84		22.7		1.41		174
1.41	0.00	1,030	177		2.11		174
	0.35		177		2.81		174
	0.70		170		3.16		174
	0.84		113		3.52		117
	1.05		45.4		3.87		60.6
1.76	0.00	1,162	177	5.62	0.00	2,014	170
	0.35		177		0.35		170
	0.70		177		0.70		170
	1.05		124		1.05		170
	1.41		26.5		1.41		170
2.11	0.00	1,257	177		2.11		170
	0.35		177		2.81		170
	0.70		177		3.52		170
	1.05		162		4.22		113
	1.41		87.1		4.57		53.0
	1.76		15.1				
2.46	0.00	1,363	177	6.33	0.00	2,154	159
	0.35		177		0.35		159
	0.70		177		0.70		159
	1.05		177		1.41		159
	1.41		166		2.11		159
	1.76		90.8		2.81		159
2.81	0.00	1,446	177		3.52		151
	0.35		177		4.22		147
	0.70		177		4.92		106
	1.05		177		5.27		53.0
	1.41		177				
	1.76		117				
3.16	2.11	1,522	56.8	7.03	0.00	2,271	159
	2.46		60.6		0.35		159
					0.70		159
					1.41		159
					2.11		159
					2.81		159
3.52	0.00	1,575	177		3.52		159
	0.35		177		4.22		159
	0.70		177		4.92		147
	1.05		177		5.62		56.8
	1.41		177				
	1.76		177				
	2.11		166				
	2.46		102				
2.81	22.7						

Model 4091

Copyright© 2015 REV 2014

Mazzei Injector Company, LLC
 500 Rooster Drive, Bakersfield, CA 93307-9555 USA

TEL 661.363.6500 • FAX 661.363.7500 • www.mazzei.net

**NUMBERS IN PARENTHESIS indicate the injector outlet pressure when suction stops (Zero Suction Point).*



Operating Pressure PSIG		AIR SUCTION		Operating Pressure PSIG		AIR SUCTION	
Injector INLET	Injector OUTLET	Motive Flow GPM	Air Suction SCFM	Injector INLET	Injector OUTLET	Motive Flow GPM	Air Suction SCFM
5	0	146	15.6	60	0	457	79.4
	1		6.8		5		58.0
	2		2.6		10		52.6
	3		1.0		15		19.3
	4				20		13.9
10	0	189	27.1		25		11.3
	2		10.8		30		8.8
	5		2.7		35		6.3
	7		1.1		40		4.3
	8				45		2.8
15	0	230	40.6	70	0	494	80.6
	5		7.0		5		63.5
	7		3.9		10		56.6
	10		1.8		15		26.7
	12				20		17.9
20	0	267	46.2		30		11.8
	5		12.4		40		7.0
	10		4.4		45		5.1
	12		2.8		50		3.4
	15		1.5		55		2.7
25	0	296	54.2	80	0	530	81.3
	5		17.6		5		66.8
	10		7.2		10		66.0
	15		3.4		15		48.0
	20		1.4		20		21.1
30	0	324	62.8		30		13.7
	5		32.5		40		9.5
	10		10.5		50		5.4
	15		5.3		60		3.0
	20		2.9		65		2.4
	25						
35	0	351	61.7				
	5		38.8				
	10		12.8				
	15		7.9				
	20		4.5				
	25		2.4				
40	0	374	67.3				
	5		44.4				
	10		16.0				
	15		10.4				
	20		6.7				
	25		4.1				
45	0	397	71.7				
	5		47.8				
	10		19.7				
	15		12.3				
	20		8.7				
	25		5.7				
	30		3.5				
50	0	419	74.9				
	5		51.5				
	10		27.0				
	15		14.2				
	20		10.8				
	25		7.5				
	30		5.0				
	35		3.1				
40							

Injector Performance Table
 Air Suction Capacity

Model 4091



Operating Pressure kg/cm ²		AIR SUCTION		Operating Pressure kg/cm ²		AIR SUCTION	
Injector INLET	Injector OUTLET	Motive Flow l/min	Air Suction l/min	Injector INLET	Injector OUTLET	Motive Flow l/min	Air Suction l/min
0.35	0.00	553	441	4.22	0.00	1,730	2,248
	0.07		192		0.35		1,642
	0.14		73.6		0.70		1,489
	0.21		28.3		1.05		546
	0.28				1.41		393
0.70	0.00	715	767		1.76		320
	0.14		305		2.11		249
	0.35		76.4		2.46		178
	0.49		31.1		2.81		121
	0.56				3.16		79.2
1.05	0.00	871	1,149	4.92	0.00	1,870	2,282
	0.35		198		0.35		1,798
	0.49		110		0.70		1,602
	0.70		50.9		1.05		756
	0.84				1.41		506
1.41	0.00	1,011	1,308		2.11		334
	0.35		351		2.81		198
	0.70		124		3.16		144
	0.84		79.2		3.52		96.2
	1.05		42.4		3.87		76.4
1.76	0.00	1,120	1,534	5.62	0.00	2,006	2,302
	0.35		498		0.35		1,891
	0.70		203		0.70		1,868
	1.05		96.2		1.05		1,359
	1.41		39.6		1.41		597
2.11	0.00	1,226	1,778		2.11		387
	0.35		920		2.81		269
	0.70		297		3.52		152
	1.05		150		4.22		84.9
	1.41		82.1		4.57		67.9
	1.76						
2.46	0.00	1,329	1,747				
	0.35		1,098				
	0.70		362				
	1.05		223				
	1.41		127				
	1.76		67.9				
2.81	0.00	1,416	1,905				
	0.35		1,257				
	0.70		453				
	1.05		294				
	1.41		189				
	1.76		116				
3.16	2.11	1,503	62.2				
	0.00		2,030				
	0.35		1,353				
	0.70		557				
	1.05		348				
	1.41		246				
	1.76		161				
	2.11		99.1				
3.52	2.46	1,586					
	0.00		2,120				
	0.35		1,458				
	0.70		764				
	1.05		402				
	1.41		305				
	1.76		212				
	2.11		141				
2.46	87.7						
2.81							

Injector Performance Table
 Air Suction Capacity - METRIC

Model 4091