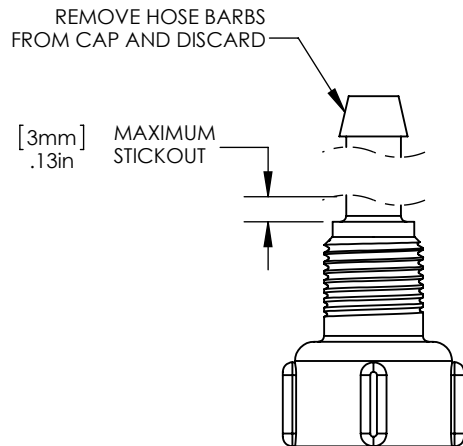
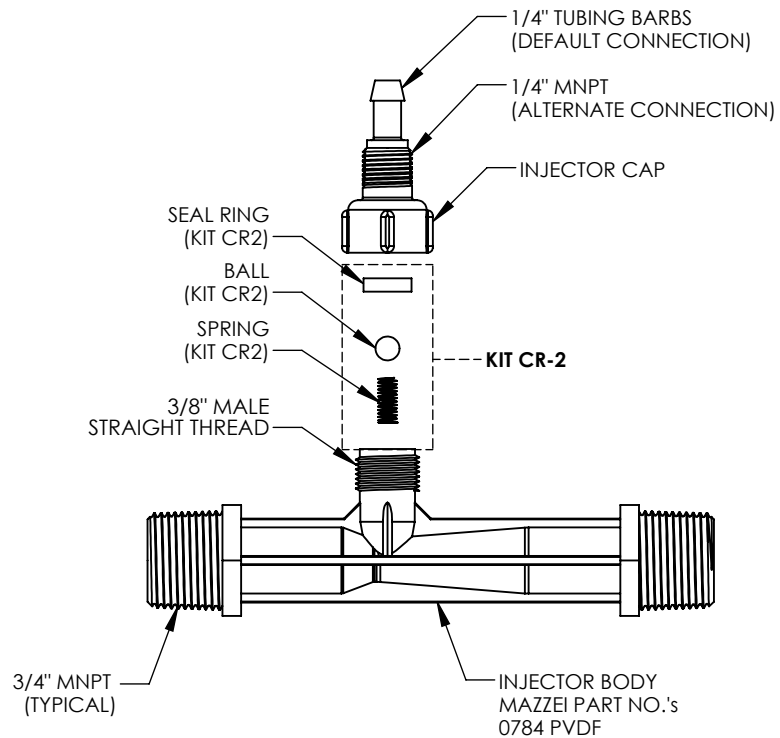


NOTES:

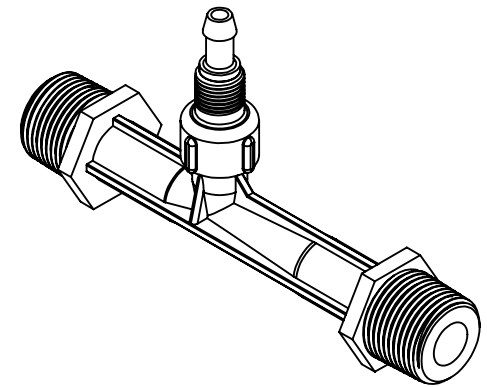
1. MADE IN THE U.S.A.
2. U.S. PATENT No. 5,863,128
3. U.S. No. 3,852,076 AND INTERNATIONAL REGISTERED TRADEMARKS
4. MATERIAL: POLYVINYLIDENE FLUORIDE (PVDF)
5. INLET/OUTLET CONNECTION:  
3/4" MNPT
6. SUCTION PORT CONNECTION:  
  
DEFAULT - 1/4" I.D. TUBING BARB WITH INTEGRATED CHECK VALVE  
  
ALTERNATE - 1/4" MNPT - SEE ALTERNATE CAP MODIFICATION DETAIL
7. FOR INSTALLATION RECOMMENDATIONS REFER TO MAZZEI TECHNICAL BULLETINS No. 4, No. 5, No. 6, No. 10 AND No. 11, WHICH CAN BE FOUND AT WWW.MAZZEI.NET.
8. MAZZEI INJECTOR CO., LLC.  
500 ROOSTER DR.  
BAKERSFIELD, CA 93307  
TEL: 661.363.6500  
WEB: WWW.MAZZEI.NET



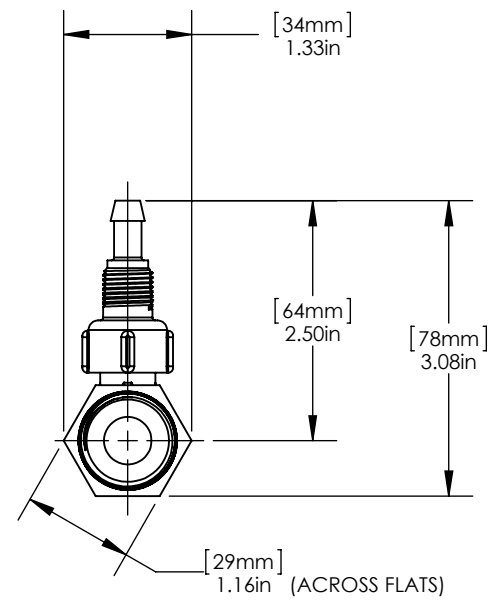
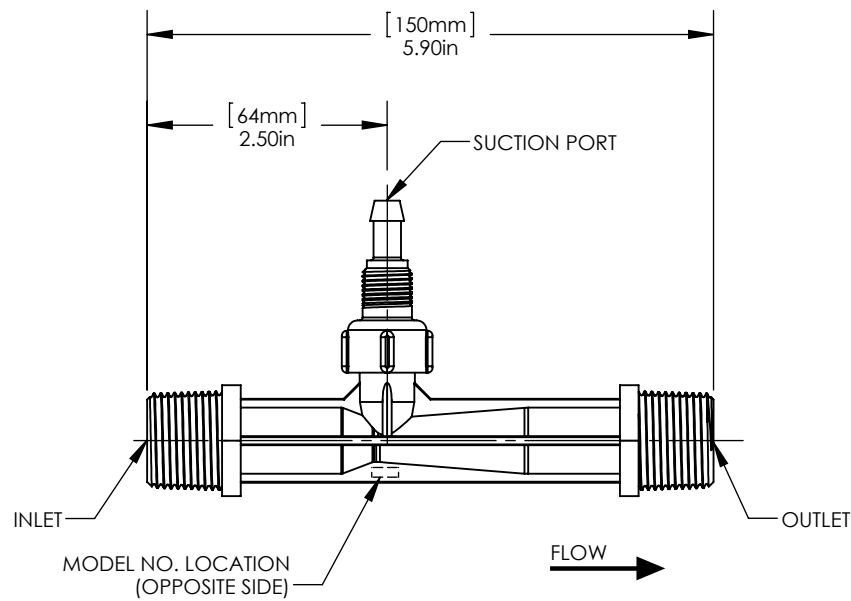
"CAP MODIFICATION DETAIL"  
(ALTERNATE)

KIT CR-2	
TITLE	MATERIAL
BALL	TEFLON @ (PTFE)
SEAL RING	KEL-F @ (PCTFE)
SPRING	HASTELLOY C-22

UNLESS OTHERWISE SPECIFIED DIMENSIONS ARE IN INCHES			TITLE: 3/4" INJECTOR; MODEL 0784		
DRAWN:	G. NOVINS		DRAWING NO.: 0784		
DATE:	7/17/2014	SIZE:	WEIGHT:	SCALE:	REV.:
APPROVED:	T. JOHNS	A	N/A	1:2	B
				SHEET:	1 OF 2



(ISOMETRIC VIEW)  
(FOR REFERENCE ONLY)



UNLESS OTHERWISE SPECIFIED DIMENSIONS ARE IN INCHES			TITLE: 3/4" INJECTOR; MODEL 0784		
DRAWN: G. NOVINS	DATE: 7/17/2014		DRAWING NO.: 0784		
APPROVED: T. JOHNS	SIZE: <b>A</b>	WEIGHT: N/A	SCALE: 1:2	REV.: B	SHEET: 2 OF 2



**Injector Performance Table**  
**Water Suction Capacity**

Operating Pressure PSIG		WATER SUCTION		Operating Pressure PSIG		WATER SUCTION		
Injector INLET	Injector OUTLET	Motive Flow GPM	Water Suction GPH	Injector INLET	Injector OUTLET	Motive Flow GPM	Water Suction GPH	
<b>5</b>	0	<b>4.5</b>	35.9	<b>60</b>	0	<b>15.6</b>	31.2	
	1		27.4		5		31.2	
	2		19.3		10		31.2	
	3		12.8		15		31.2	
	4		*(4.5)		2.0		20	31.2
<b>10</b>	0	<b>6.4</b>	35.0		30		31.2	
	2		34.8		35		31.1	
	5		23.7		40		30.7	
	7		13.1		45		*(50.0)	12.0
	8		*(9.0)		5.0		<b>70</b>	0
<b>15</b>	0	<b>7.8</b>	34.0	5	31.0			
	5		33.7	10	31.1			
	7		33.2	15	31.1			
	10		*(13.0)	19.5	20	31.2		
	12		2.3	30	31.1			
<b>20</b>	0	<b>9.0</b>	32.9	40	31.1			
	5		33.0	45	31.0			
	10		32.8	50	25.0			
	12		28.3	55	*(58.3)	8.2		
	15		*(17.5)	17.4	<b>80</b>	0	<b>18.0</b>	31.1
<b>25</b>	0	<b>10.1</b>	32.3	5		31.1		
	5		32.1	10		30.9		
	10		32.2	15		31.0		
	15		*(22.3)	32.2		20		31.0
	20		31.6	30		31.0		
<b>30</b>	0	<b>11.0</b>	31.6	40		30.7		
	5		31.6	50		31.0		
	10		31.8	60		29.0		
	15		31.7	65		*(67.0)		25.2
	20		29.1	<b>90</b>	0	<b>19.1</b>	31.5	
25	*(26.5)	5	31.5					
<b>35</b>	0	<b>11.9</b>	31.3		10		31.5	
	5		31.5		20		31.3	
	10		31.4		30		31.3	
	15		31.5		40		31.7	
	20		31.4		50		31.3	
25	*(31.0)	15.8	60		31.0			
<b>40</b>	0	<b>12.7</b>	31.2		70		30.2	
	5		31.4		75		*(76.0)	19.1
	10		31.4	<b>100</b>	0	<b>20.2</b>	31.0	
	15		31.4		5		30.4	
	20		31.5		10		30.4	
25	31.2	20	31.0					
30	*(34.0)	12.1	30		31.0			
<b>45</b>	0	<b>13.5</b>	31.1		40		31.0	
	5		31.2		50		30.4	
	10		31.2		60		31.0	
	15		31.3		70		30.4	
	20		31.4		80		*(85.0)	17.9
	25		31.2	<b>120</b>	0	<b>22.1</b>	31.8	
	30		30.8		5		31.8	
35	*(38.0)	7.4	10		31.8			
<b>50</b>	0	<b>14.3</b>	31.1		20		31.8	
	5		31.1		30		31.8	
	10		31.2		40		31.8	
	15		31.3		50		31.7	
	20		31.0		60		31.6	
	25		31.4		70		31.6	
	30		31.5		80		31.8	
	35		22.2	90	14.8			
40	*(42.8)	9.0	100	*(102)				

**Model 784**

Copyright© 2014 REV August 2014

Mazzei Injector Company, LLC  
 500 Rooster Drive, Bakersfield, CA 93307-9555 USA

TEL 661.363.6500 • FAX 661.363.7500 • www.mazzei.net

*\*NUMBERS IN PARENTHESIS indicate the injector outlet pressure when suction stops (Zero Suction Point).*



Operating Pressure kg/cm <sup>2</sup>		WATER SUCTION		Operating Pressure kg/cm <sup>2</sup>		WATER SUCTION		
Injector Inlet	Injector Outlet	Motive Flow l/min	Water Suction l/hr	Injector Inlet	Injector Outlet	Motive Flow l/min	Water Suction l/hr	
<b>0.35</b>	0.00	<b>17.1</b>	136	<b>4.22</b>	0.00	<b>59.1</b>	118	
	0.07		103		0.35		118	
	0.14		73.0		0.70		118	
	0.21		48.6		1.05		118	
	0.28		*(0.32)		7.8		1.41	118
<b>0.70</b>	0.00	<b>24.1</b>	132		2.11		118	
	0.14		131		2.46		117	
	0.35		89.7		2.81		116	
	0.49		49.7		3.16		*(3.52)	45.6
	0.56		*(0.63)		18.9		0.00	117
<b>1.05</b>	0.00	<b>29.6</b>	128	0.35	117			
	0.35		127	0.70	117			
	0.49		126	1.05	117			
	0.70		73.9	1.41	63.9			
	0.84		*(0.91)	8.8	2.11	117		
<b>1.41</b>	0.00	<b>34.1</b>	124	2.81	117			
	0.35		125	3.16	117			
	0.70		124	3.52	94.8			
	0.84		107	3.87	*(4.10)	31.3		
	1.05		*(1.23)	65.9	0.00	117		
<b>1.76</b>	0.00	<b>38.2</b>	122	0.35	118			
	0.35		121	0.70	117			
	0.70		121	1.05	117			
	1.05		122	1.41	68.3			
	1.41		*(1.57)		2.11	117		
<b>2.11</b>	0.00	<b>41.8</b>	119	2.81	116			
	0.35		119	3.52	117			
	0.70		120	4.22	110			
	1.05		120	4.57	*(4.71)	95.4		
	1.41		110	0.00	119			
	1.76		*(1.86)		0.35	119		
<b>2.46</b>	0.00	<b>45.2</b>	118	0.70	119			
	0.35		119	1.41	118			
	0.70		119	2.11	72.4			
	1.05		119	2.81	120			
	1.41		118	3.52	118			
	1.76		*(2.18)	60.1	4.22	117		
<b>2.81</b>	0.00	<b>48.3</b>	118	4.92	114			
	0.35		119	5.27	*(5.34)	72.2		
	0.70		119	0.00	117			
	1.05		118	0.35	115			
	1.41		119	0.70	115			
	1.76		118	1.41	117			
<b>3.16</b>	2.11	*(2.39)	45.8	2.11	76.3			
	0.00	<b>51.2</b>	117	2.81	117			
	0.35		118	3.52	115			
	0.70		118	4.22	117			
	1.05		118	4.92	115			
	1.41		119	5.62	*(5.98)	67.9		
	1.76		118	0.00	120			
	2.11		116	0.35	120			
2.46	*(2.67)		28.3	0.70	120			
<b>3.52</b>	0.00	<b>54.0</b>	117	1.41	120			
	0.35		117	2.11	120			
	0.70		118	2.81	120			
	1.05		118	3.52	120			
	1.41		117	4.22	119			
	1.76		119	4.92	119			
	2.11		119	5.62	120			
	2.46		84.1	6.33	56.2			
	2.81		*(3.01)	34.3	7.03	*(7.17)		



Operating Pressure PSIG		AIR SUCTION		Operating Pressure PSIG		AIR SUCTION		
Injector INLET	Injector OUTLET	Motive Flow GPM	Air Suction SCFH	Injector INLET	Injector OUTLET	Motive Flow GPM	Air Suction SCFH	
5	0	4.3	11.7	60	0	14.9	59.3	
	1		9.8		5		57.4	
	2		4.7		10		49.4	
	3		2.1		15		44.1	
	4		*(4.5)		0.99		20	35.0
10	0	6.1	19.3		30		15.5	
	2		15.6		35		10.4	
	5		5.7		40		8.0	
	7		2.0		45		*(50.0)	4.8
	8		*(9.0)		0.93		0	59.9
15	0	7.5	28.8	5	59.8			
	5		16.5	10	54.7			
	7		8.7	15	49.6			
	10		4.1	20	46.3			
	12		*(13.0)	1.9	30	22.3		
20	0	8.6	33.7	40	13.5			
	5		21.2	45	9.8			
	10		8.0	50	7.5			
	12		4.9	55	*(58.3)	4.2		
	15		*(17.5)	2.4	0	61.0		
25	0	9.6	40.0	5	60.1			
	5		29.1	10	58.0			
	10		14.0	15	54.1			
	15		3.3	20	51.6			
	20		*(22.3)	0	34.1			
30	0	10.6	48.2	5	18.3			
	5		32.5	10	11.7			
	10		20.3	15	6.2			
	15		9.6	20	*(67.0)	3.5		
	20		4.2	25	*(26.5)	0	61.9	
35	0	11.4	46.4	5	62.0			
	5		38.1	10	61.7			
	10		29.7	20	56.2			
	15		15.2	30	48.2			
	20		8.2	40	25.2			
40	0	12.2	52.9	50	16.4			
	5		44.8	60	11.0			
	10		35.8	70	5.7			
	15		20.4	75	*(76.0)	3.6		
	20		11.5	0	62.0			
45	0	12.9	56.4	5	62.8			
	5		48.1	10	61.5			
	10		38.5	20	58.3			
	15		29.0	30	52.6			
	20		14.9	40	35.7			
50	0	13.6	58.1	50	20.8			
	5		51.9	60	14.5			
	10		43.0	70	9.6			
	15		35.7	80	*(85.0)	4.9		
	20		20.3	0	63.3			
60	0	14.9	59.3	5	63.5			
	5		57.4	10	63.2			
	10		49.4	20	62.6			
	15		44.1	30	57.2			
	20		35.0	40	55.0			
	30		15.5	50	34.4			
	35		10.4	60	22.6			
	40		8.0	70	16.6			
70	0	16.1	59.9	80	11.8			
	5		59.8	90	7.3			
	10		54.7	100	*(102)	0	63.3	
	15		49.6	5	63.5			
	20		46.3	10	63.2			
	30		22.3	20	62.6			
	40		13.5	30	57.2			
	45		9.8	40	55.0			
80	0	17.3	61.0	50	34.4			
	5		60.1	60	22.6			
	10		58.0	70	16.6			
	15		54.1	80	11.8			
	20		51.6	90	7.3			
	30		34.1	100	*(102)	0	63.3	
	40		18.3	5	63.5			
	50		11.7	10	63.2			
90	0	18.3	61.9	20	62.6			
	5		62.0	30	57.2			
	10		61.7	40	55.0			
	20		56.2	50	34.4			
	30		48.2	60	22.6			
	40		25.2	70	16.6			
	50		16.4	80	11.8			
	60		11.0	90	7.3			
100	0	19.3	62.0	100	*(102)	0	63.3	
	5		62.8	5	63.5			
	10		61.5	10	63.2			
	20		58.3	20	62.6			
	30		52.6	30	57.2			
	40		35.7	40	55.0			
	50		20.8	50	34.4			
	60		14.5	60	22.6			
120	0	21.1	63.3	70	16.6			
	5		63.5	80	11.8			
	10		63.2	90	7.3			
	20		62.6	100	*(102)	0	63.3	
	30		57.2	5	63.5			
	40		55.0	10	63.2			
	50		34.4	20	62.6			
	60		22.6	30	57.2			

Air Suction Capacity  
 Injector Performance Table  
 Model 784

Copyright© 2014 REV August 2014

Mazzei Injector Company, LLC  
 500 Rooster Drive, Bakersfield, CA 93307-9555 USA

TEL 661.363.6500 • FAX 661.363.7500 • www.mazzei.net

*\*NUMBERS IN PARENTHESIS indicate the injector outlet pressure when suction stops (Zero Suction Point).*



**Injector Performance Table**  
**Air Suction Capacity - METRIC**

Operating Pressure kg/cm <sup>2</sup>		AIR SUCTION		Operating Pressure kg/cm <sup>2</sup>		AIR SUCTION	
Injector INLET	Injector OUTLET	Motive Flow l/min	Air Suction l/min	Injector INLET	Injector OUTLET	Motive Flow l/min	Air Suction l/min
0.35	0.00	16.3	5.5	4.22	0.00	56.6	28.0
	0.07		4.6		0.35		27.1
	0.14		2.2		0.70		23.3
	0.21		1.0		1.05		20.8
	0.28		0.46		1.41		16.5
0.70	0.00	23.1	9.1		2.11		7.3
	0.14		7.4		2.46		4.9
	0.35		2.7		2.81		3.8
	0.49		0.94		3.16		2.3
	0.56		0.44		3.52		2.3
1.05	0.00	28.3	13.6	4.92	0.00	61.1	28.3
	0.35		7.8		0.35		28.2
	0.49		4.1		0.70		25.8
	0.70		1.9		1.05		23.4
	0.84		0.90		1.41		21.8
1.41	0.00	32.7	15.9		2.11		10.5
	0.35		10.0		2.81		6.3
	0.70		3.8		3.16		4.6
	0.84		2.3		3.52		3.5
	1.05		1.1		3.87		1.9
1.76	0.00	36.5	18.9	5.62	0.00	65.3	28.7
	0.35		13.7		0.35		28.3
	0.70		6.6		0.70		27.3
	1.05		1.5		1.05		25.5
	1.41		0.9		1.41		24.3
2.11	0.00	40.0	22.7		2.11		16.1
	0.35		15.3		2.81		8.6
	0.70		9.6		3.52		5.5
	1.05		4.5		4.22		2.9
	1.41		2.0		4.57		1.6
2.46	0.00	43.2	21.9	6.33	0.00	69.3	29.2
	0.35		17.9		0.35		29.2
	0.70		14.0		0.70		29.1
	1.05		7.1		1.41		26.5
	1.41		3.8		2.11		22.7
2.81	0.00	46.2	25.0		2.81		11.9
	0.35		21.1		3.52		7.7
	0.70		16.9		4.22		5.2
	1.05		9.6		4.92		2.7
	1.41		5.4		5.27		1.7
3.16	0.00	49.0	26.6	7.03	0.00	73.0	29.2
	0.35		22.7		0.35		29.6
	0.70		18.2		0.70		29.0
	1.05		13.7		1.41		27.5
	1.41		7.0		2.11		24.8
3.52	0.00	51.6	27.4		2.81		16.8
	0.35		24.5		3.52		9.8
	0.70		20.3		4.22		6.8
	1.05		16.8		4.92		4.5
	1.41		9.6		5.62		2.3
3.52	0.00	51.6	27.4	8.44	0.00	80.0	29.9
	0.35		24.5		0.35		30.0
	0.70		20.3		0.70		29.8
	1.05		16.8		1.41		29.5
	1.41		9.6		2.11		27.0
3.52	0.00	51.6	27.4		2.81		26.0
	0.35		24.5		3.52		16.2
	0.70		20.3		4.22		10.6
	1.05		16.8		4.92		7.8
	1.41		9.6		5.62		5.5
3.52	0.00	51.6	27.4	6.33	3.4		
	0.35		24.5	7.03	2.3		
	0.70		20.3				
	1.05		16.8				
	1.41		9.6				

**Model 784**

Copyright© 2014 REV August 2014

Mazzei Injector Company, LLC  
 500 Rooster Drive, Bakersfield, CA 93307-9555 USA

TEL 661.363.6500 • FAX 661.363.7500 • www.mazzei.net

*\*NUMBERS IN PARENTHESIS indicate the injector outlet pressure when suction stops (Zero Suction Point).*