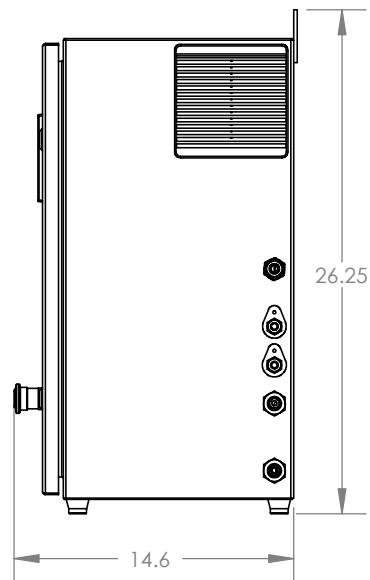
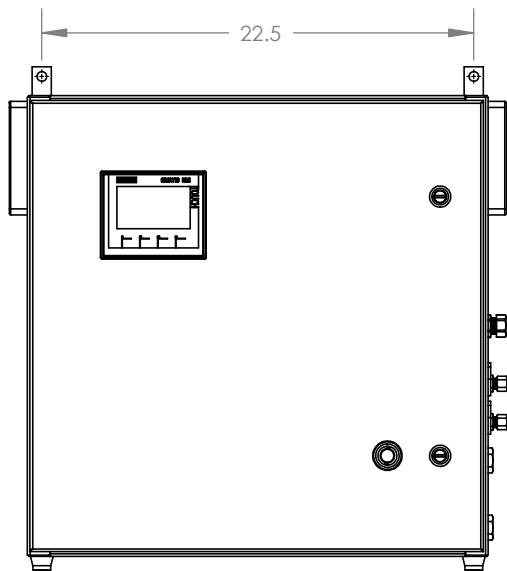
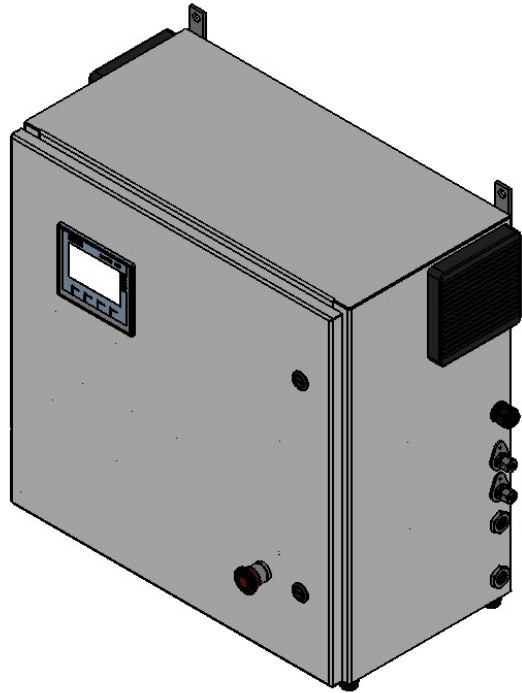
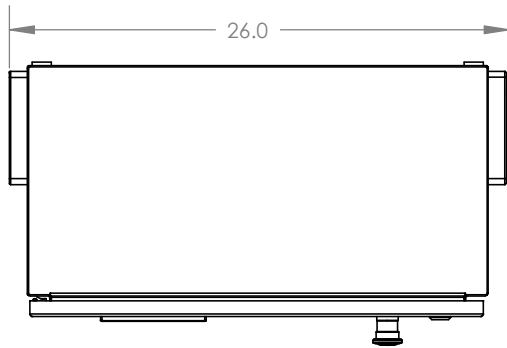


2

1



B

B

A

A



PROPRIETARY AND CONFIDENTIAL
 THE INFORMATION CONTAINED IN THIS DRAWING IS THE SOLE PROPERTY OF OZONE SOLUTIONS. ANY REPRODUCTION IN PART OR AS A WHOLE WITHOUT THE WRITTEN PERMISSION OF OZONE SOLUTIONS IS PROHIBITED.

TITLE
**TG-150
 OVERVIEW**

	NAME	DATE
ENG APPR.	TB	3/9/2018

2

1